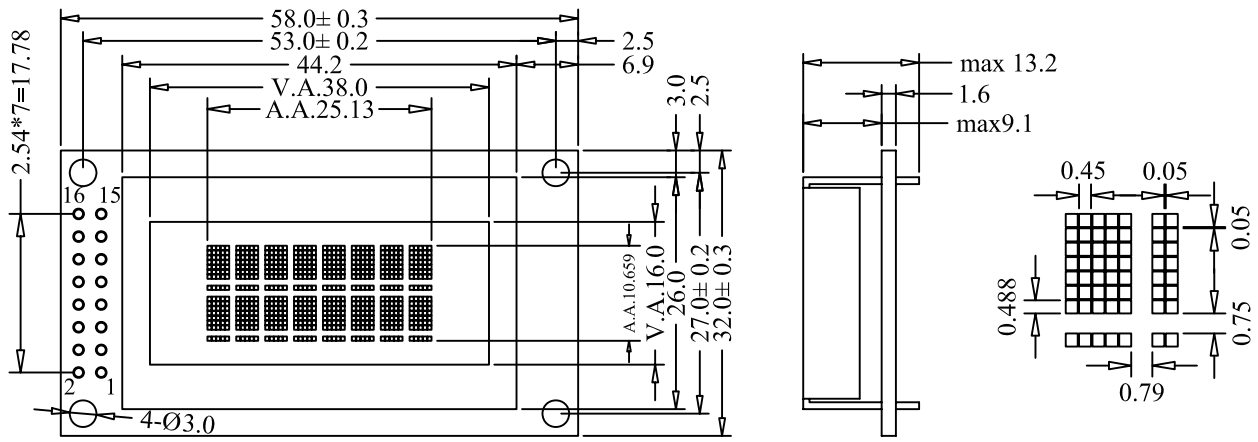


1. DIMENSION OUTLINE



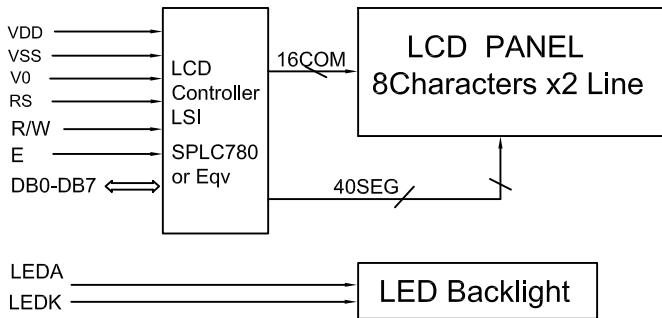
2. MECHANICAL SPECIFICATIONS

ITEM	SPECIFICATIONS	ITEM	REMARK
Module Size(L×W×H)	58.0×32.0×13.0	mm	Reference Dimensional Outline
View Area(W×H)	38.0×16.0	mm	
Effective V/Area	25.13×10.658	mm	
Number of Characters	8CH×2Line	—	
Dot Size(W×H)	0.45×0.49	mm	
Character Size(WxH)	2.45×4.95	mm	
Weight(Reflective/Led)	—	g	

3. ABSOLUTE MAXIMUM RATINGS

ITEM	SYMBOL	CONDITION	STANDARD	
			MIN	MAX
Logic Voltage	V _{DD}	Ta=25°C	-0.3V	7V
LCD Voltage	V _{LCD}		-0.3V	13V
Input Voltage	V _I		-0.3V	V _{DD} +0.3V
Operation Temperature	T _{OP}	—	-20°C	70°C
Storage Temperature	T _{st}	—	-30°C	80°C

4. BLOCK DIAGRAMMECHANICAL



5. LED BACKLIGHT SPECIFICATIONS

ITEM	SYMBOL	TYPE	MAX	UNIT
Ta=25°C				
Forward Voltage	V _f	4.1	4.3	V
Forward Current	I _f	60	—	mA
Emission Vave Length	λ _p	568	—	nm

6. INTERFACE PIN CONNECTIONS

ITEM	SYMBOL	LEVEL	FUNCTIONS
1	VSS	—	Power Ground
2	VDD	—	Power Supply For Logic
3	V0	—	Contrast adjust
4	RS	H/L	H:data L:command
5	R/W	H/L	H:read L:write
6	E	H. H→L	Enable signal
7-14	DB0-DB7	H/L	Data Bus
15	LEDA	+5V	Power supply For LED Backlight
16	LEDK	0V	

7. ELECTRICAL CHARACTERISTICS

ITEM	SYMBOL	MIN	TYPE	MAX	UNIT
Ta=25°C					
Logic Power	V _{DD}	4.5	5	5.5	V
Input High Voltage	V _{IH}	2.2	—	V _{DD}	V
Input Low Voltage	V _{IL}	-0.3	—	0.8	V
Output High Voltage	V _{OH}	2.4	—	V _{DD}	V
Output Low Voltage	V _{OL}	0	—	0.4	V
Logic Current	I _{DD}	—	1.2	3.0	mA
Operation Voltage For LCD	V _{DD-V0}	—	5	—	V